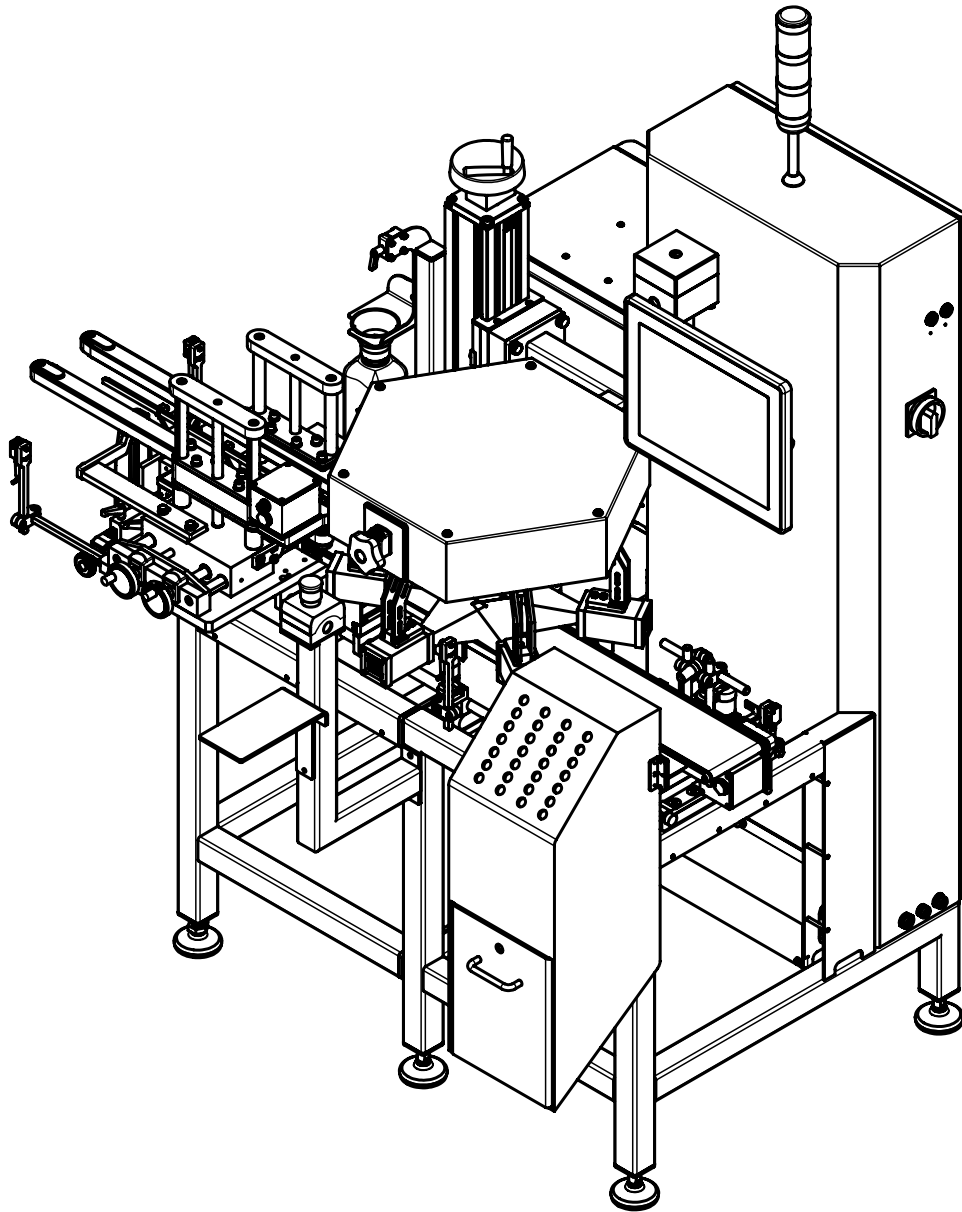


TQS-SP-BOTTLE

TECHNICAL DATA

TQS



WIPOTEC  OCS

WEIGHING AND INSPECTION SOLUTIONS

TECHNICAL DATA

TQS SP-Bottle

BASE DATA

Material of machine	Stainless steel V2A/AISI 304
Unit weight	250 kg
Production type	IP54 ¹⁾
Temperature range	+5 °C to +40 °C
Display and operation	15" colour TFT display with touchscreen (optionally 19" colour TFT display with touchscreen)
Interfaces	Standard level 3 interface (XML, Ethernet)
Output	120 pcs/min (optionally 300 pcs/min)
Weighing range (optionally)	To 750 g / to 1,500 g
Product diameter (cylindric)	30 mm-100 mm
Product height	10 mm-150 mm (optionally 10 mm-200 mm)
Product transport height	800 mm-950 mm (optionally 700 mm-840 mm / 900 mm-1,050 mm)
Drive	Servomotor
Length of the travel direction	1,600 mm
Rated voltage; Rated frequency	L1/N/PE 100-240V; 50/60 Hz
Connect load	1 kVA
Compressed air	Approx. 6 bar 16 NI/min, quality class 5/3/3 to DIN ISO 8573-1

OPTIONAL COMPONENTS

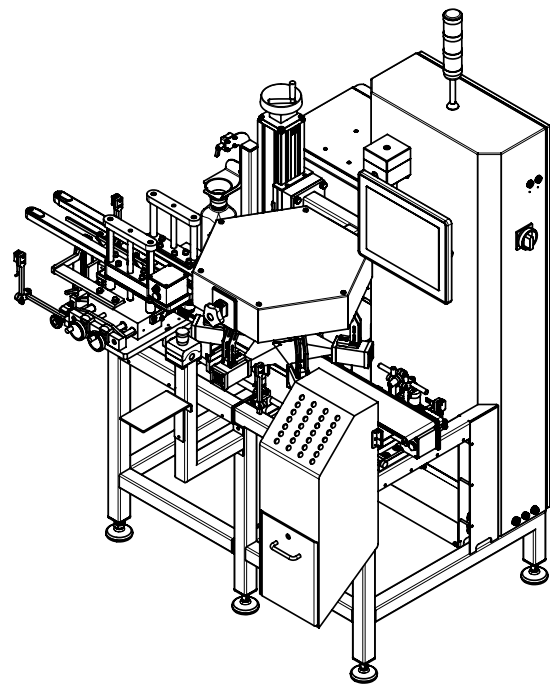
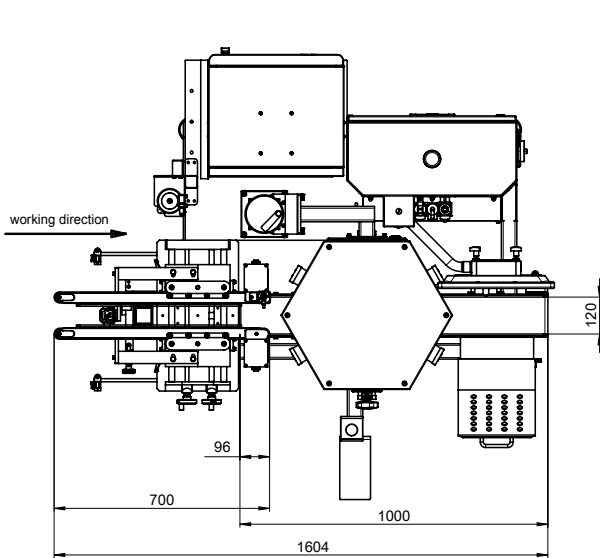
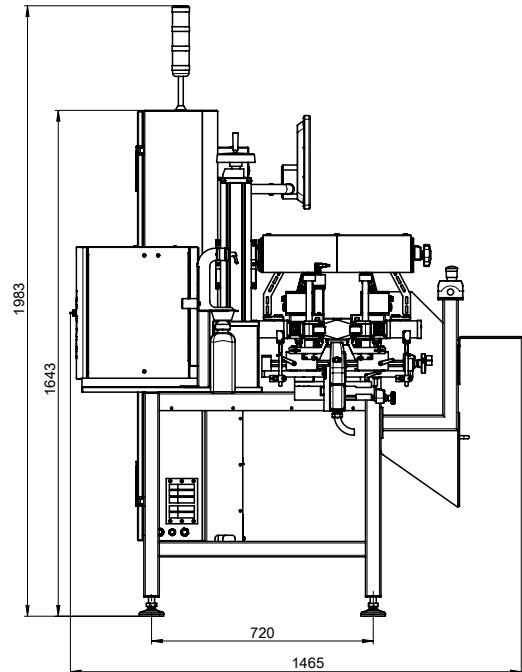
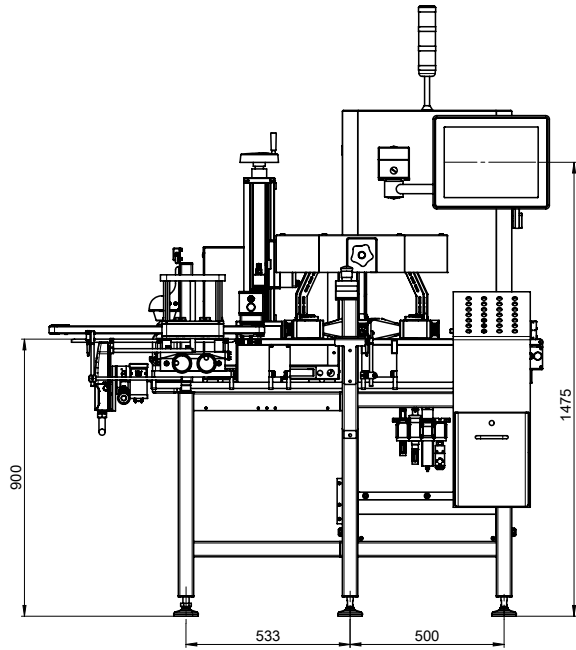
Software and Connection	TQS Line Manager, TQS Device Controller, Industrial firewall with remote maintenance, Data backup and recovery, meets requirements according to CFR 21 part 11, Microsoft Active Directory, customer-specific report, standardised universal interface for connection to level 3, Software option manual reinspection
Aggregation level	Manual extention (optional manual aggregation level)
Handheld scanner	Wireless
Mark&Verify Group	Continuous Inkjet (CIJ)
Labels	Fully integrated thermal transfer label printing
Additional conveyors	400 mm-1,500 mm, Turning station, Grouping table (TQS-GT)
Sorting and Ejection	Rejection bin, Gravity roller conveyor, Blowing nozzle (air blast), Pusher
Sorting lamp	3-stage stacklight (optionally customer-specific signalling column)
Language packs	Bulgarian, Chinese (simplified), Croatian, Czech, Danish, Dutch, English, Estonian, French, German, Greek, Hungarian, Italian, Polish, Portuguese, Romanian, Russian, Spanish, Swedish, Turkish (other languages on request)
Documentation	Machine documentation, Qualification package, Functional specification (FDS), Risk analysis industrial personal computer (RA IPC), Traceability Matrix (TM), Risk analysis according to Machinery Directive (RAM)

¹⁾ water spray from above

These specifications are reference values of the standard machine excluding application- or weighing-specific add-on parts.
Extended performance data available on request.

MACHINE DIMENSIONS

TQS SP-Bottle



These specifications are reference values of the standard machine excluding application- or weighing-specific add-on parts.
All entries in mm | Drawing shows design example

